

Double bed in painted tubular steel, diameter mm 45. Anatomical support bed base made of 32 slatted in multilayered beech is included. Ring bed can be completed with the headboard Ring, wall headboard Free Ring, night tables, rugs, pouf...

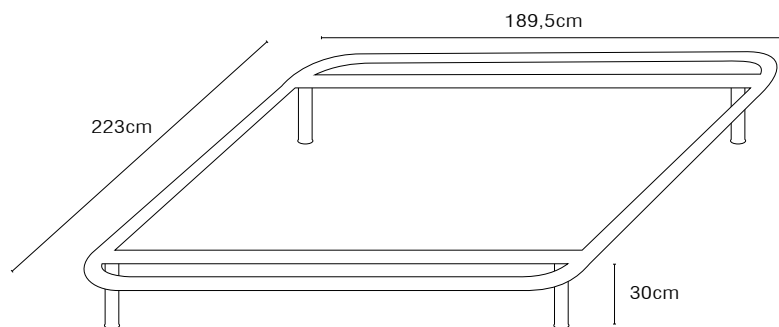
Sizes

RING IRON

bed base cm 180x200
total sizes cm 189,5x223
height bed base cm 30

Structure finishes: in samples
Maintenance: clean with a soft cloth
Designer: Studio Progetti xam
Year of production: 2020

Packaging data: n. 2 box: cm 200x45x12, mc 0,11 (bed structure)
cm 203x192x14, mc 0,54 (slatted bed base)



Fixed 32-slatted multilayer beech slatted bed base, highly performing thanks to the 7 layers that make the springing uniformly flexible and durable, able to repel moisture through the film that covers and protects them.

Powder-coated 30x30 mm steel perimeter with central reinforcing foot.

Sizes:

Slatted bed base width cm 160/180
length cm 200

Maintenance: clean with soft cloth

