

Double or single baldaquin bed in painted tubular steel, section cm 2,5x2,5.

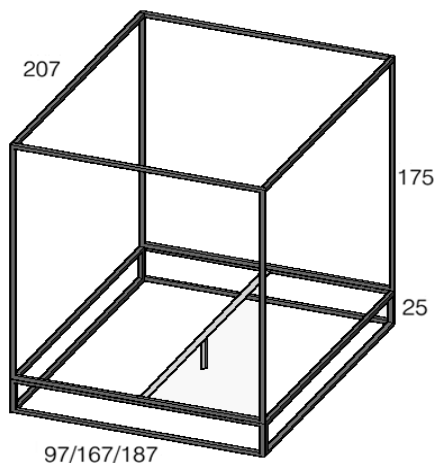
The base structure, composed of six elements, is completely knockdown. The baldaquin is composed from two side bars more two panels entirely welded that are supported on headboard and footboard; it has no structural but aesthetic function and it is possible to apply or to remove it from the bed in any moment. The roll up orthopaedic bed base is made of 16 slatted in multilayered beech and pvc side band. **The canopy has no structural but aesthetic function, a little oscillation is not a defect.**

*Measurements:*

<b>ASHA BALDAQUIN</b>	<b>bed + baldaquin</b> bed base cm 90x200
	total dimension cm 97x207xh200
	bed base cm 160x200
	total dimension cm 167x207xh200
	bed base cm 180x200
	total dimension cm 187x207xh200

<i>Structure finishes:</i>	sample collection colors
<i>Maintenance:</i>	clean with soft cloth
<i>Designer:</i>	Studio Controdesign in collaboration with xam project studio
<i>Year of production:</i>	2006

<i>Packaging data:</i>	cm 90x200: partial assembled; total 83 kg; mc 0,38. n° 3 cardboard boxes: cm 212x27x27 (bed), cm 95x27x17 (roll base), cm 100x180x12 (baldaquin)
	cm 160x200: partial assembled; total 115 kg; mc 0,64. n° 3 cardboard boxes: cm 212x27x27 (bed), cm 170x27x17 (roll base), cm 182x180x12 (baldaquin)
	cm 180x200: partial assembled; total 128 kg; mc 0,67. n° 3 cardboard boxes: cm 212x27x27 (bed), cm 187x27x17 (roll base), cm 196x180x12 (baldaquin)



Roll-up slat with profile in SBS and n.16 staves in beech tree, mm 68x12.  
Spaced apart slats mm55.

*Sizes:*

**Slatted bed base** width cm 90/160/180  
length cm 200

*Maintenance:* clean with soft cloth

