

Double and single bed in painted tubular steel, section cm 2,5x2,5 available in different colors. The basic structure, consisting of six elements, can be completely disassembled and includes orthopedic bed base, made of 16 slatted in multilayered beech and pvc side band. To the basic version, you can apply at any time the structure of the canopy, becoming baldaquin version. Asha basic can be completed with the wall headboard Free, headboard Slim, headboard Two, headboard Hug, headboard Step, night tables, rugs, pouf...

*Measurements:*

**ASHA BASIC**

**bed structure**

bed base cm 90x200  
total dimension cm 97x207xh25

bed base cm 160x200  
total dimension cm 167x207xh25

bed base cm 180x200  
total dimension cm 187x207xh25

*Structure finishes:*

sample collection colors

*Maintenance:*

clean with soft cloth

*Designer:*

Studio Controdesign in collaboration with xam project studio

*Year of production:*

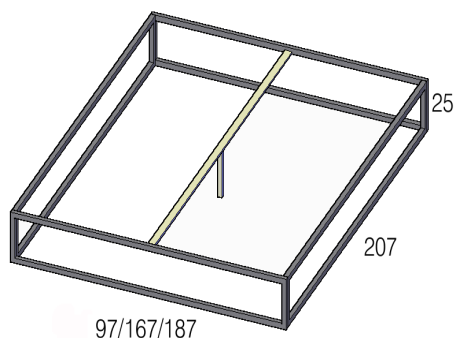
2006

*Packaging data:*

cm 90x200: disassembled; total 53 kg; mc 0,20.  
n°2 cardboard boxes:cm 212x27x27 (structure),  
cm 97x27x17 (base)

cm 160x200: disassembled; total 67 kg; mc 0,24.  
n°2 cardboard boxes::cm 212x27x27 (structure),  
cm 167x27x17 (base)

cm 180x200: disassembled; total 72 kg; mc 0,25.  
n°2 cardboard boxes:cm 212x27x27 (structure),  
cm 187x27x17 (base)



Roll-up slat with profile in SBS and n.16 staves in beech tree, mm 68x12.  
Spaced apart slats mm55.

*Sizes:*

**Slatted bed base** width cm 90/160/180  
length cm 200

*Maintenance:* clean with soft cloth

