

Double or single baldaquin bed in painted tubular steel, section cm 2,5x2,5.

The base structure, composed of four elements, is completely knockdown. The baldaquin is composed from two side bars more two panels entirely welded that are supported on headboard and footboard; it has no structural but aesthetic function and it is possible to apply or to remove it from the bed in any moment. The roll up orthopaedic bed base is made of 16 slatted in multilayered beech and pvc side band.

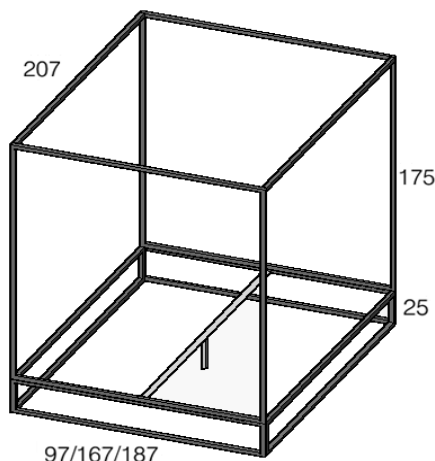
*Measurements:*

<b>ASHA BALDAQUIN</b>	<b>bed + baldaquin</b>	bed base cm 90x200
		total dimension cm 97x207xh200
		bed base cm 160x200
		total dimension cm 167x207xh200
		bed base cm 180x200
		total dimension cm 187x207xh200

<i>Structure finishes:</i>	all RAL colours
<i>Maintenance:</i>	clean with soft cloth
<i>Designer:</i>	Studiocontrodesign in collaboration with xam Project Studio
<i>Year of production:</i>	2006

*Packaging data:*

<u>cm 90x200:</u>	partial assembled; total 83 kg; mc 0,38. n° 3 cardboard boxes: cm 212x27x27 (bed), cm 95x27x17 (roll base), cm 100x180x12 (baldaquin)
<u>cm 160x200:</u>	partial assembled; total 115 kg; mc 0,64. n° 3 cardboard boxes: cm 212x27x27 (bed), cm 170x27x17 (roll base), cm 182x180x12 (baldaquin)
<u>cm 180x200:</u>	partial assembled; total 128 kg; mc 0,67. n° 3 cardboard boxes: cm 212x27x27 (bed), cm 187x27x17 (roll base), cm 196x180x12 (baldaquin)



97/167/187

**100% made in Italy**